

Parts Manual  
823108EN  
12/31/2015

**OMEGA TECHNOLOGIES**

# Cleco®

**B1-C & BR-C Series**  
Chisel and Needle Scaler



For additional product information visit our website at:  
<https://dotcotool.com/product-category/cleco-tools/cleco-specialty-tools/cleco-b-series-chisel-scalers/>



**Cleco®**  
Nomenclature

**823108EN**  
12/31/2015

	<b>XX</b>	-	<b>XXX</b>	-	<b>XX</b>	-	<b>XXX</b>	-	<b>K</b>
<u>Tool Series</u>									
	<b>B1</b> = Shank (Square Chisel)								
	<b>BR</b> = Shank (Round Chisel)								
<u>Tool Style</u>									
	<b>C</b> = Chisel								
	<b>CNB</b> = Chisel and Needle Scaler								
<u>Throttle Type</u>									
	<b>BV</b> = Pistol Grip, Lever Throttle								
	<b>LT</b> = Inline, Lever Throttle								
	<b>PT</b> = Inline, Push-Pull Start								
<u>Nose Configuration (CNB models only)</u>									
	<b>RD</b> = Round								
	<b>RET</b> = Rectangular								
<u>Option</u>									
	<b>K</b> = Needle Scaler Kit								

# Cleco®

## Description and Safety

The original language of this manual is English.

### Product Safety Information:

Intended Use:

These chisels and needle scalars are driven by compressed air to remove material.

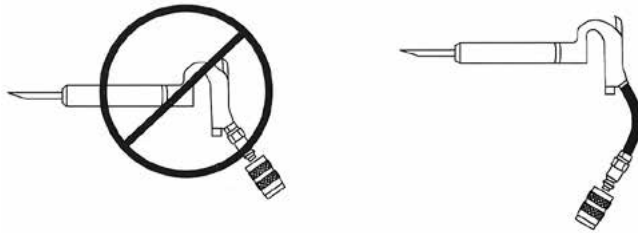
For additional product safety information refer to Apex Tool Group, LLC or Apex Tool Group GmbH & Co. OHG document CE-2017, General Safety Percussion Tools.

### **WARNING**

These chisels or needle scalars must not be modified in any manner unless approved in writing by Apex Tool Group, LLC or Apex Tool Group GmbH & Co. OHG. All safety devices must be properly installed and maintained in good working order.

### Quick Disconnect Coupling

### **WARNING**



Attachment of a quick disconnect compressed air coupling directly to the inlet threads of a percussion tool can cause wear and failure of the coupling. Failure of the coupling may cause severe injury from the air hose end violently whipping about. If a quick disconnect air coupling is used, separate the coupling from the tool with a whip hose (1.5 feet minimum length).

### Chisel/Scaler Care and Use

### **WARNING**

Cracked chisels or implements are hazardous. Visually inspect the chisel or implement for cracks before using. Have all chisels magnifluxed before re-sharpening. Destroy and discard any chisel or implement that shows a crack or damage.

Correct selection of the chisel or other implement is important. Dull edges on the chisel or moil point cause the energy of the percussion blow to be absorbed by the tool, instead of the work piece, increasing the chance of chisel breakage.

When operating percussion tools in explosive or flammable environments, use only non-sparking chisels or implements such as those made from beryllium copper. Also, do not use cupped rivet sets with Cleco percussion tools to drive nails. Blows not centered on the nail can cause the nail to ricochet off the work and strike the user.

### Air Line Lubrication:

Use Apex Tool Group, LLC or Apex Tool Group GmbH & Co. OHG's lightweight air tool oil 500021 (available in quantities shown in the following chart) or an SAE-5 lightweight spindle oil.

Part No.	Packaged	Designation
540397	1 Quart (0.94 liter)	Airlube 10W/NR-420LB DR
533485	1 US Gallon (3.78 liter)	Airlube 10W/NR-420LB DR

### Air Supply Line:

Parameter	Description
Air Hose	Minimum inside diameter: 5/16" (7.9 mm) Maximum length: 8' (2.5 m)
Working pressure range	Performance rated at: 90 psi (620 kPa)
Compressed air	Air quality according to ISO 8573-1, quality class 2.4.3 The compressed air must be clean and dry.

### Service and Repair:

Always disconnect the air supply before changing the chisel or implement or performing any service on the tool.

Tool service and repair should be performed by an authorized Apex Tool Group, LLC or Apex Tool Group GmbH & Co. OHG Center. Refer to the last page of this manual for locations.

### Disposal:



Observe local disposal guidelines for all components of this tool and its packaging.

### Copyright Protection:

Apex Tool Group, LLC or Apex Tool Group GmbH & Co. OHG reserves the right to modify, supplement or improve this document or the product without prior notice. This document may not be reproduced in any way, shape or form, in full or parts thereof, or copied to another natural or machine readable language or to a data carrier, whether electronic, mechanical, optical or otherwise without the express permission of Apex Tool Group, LLC or Apex Tool Group GmbH & Co. OHG.

### Chisel Removal:

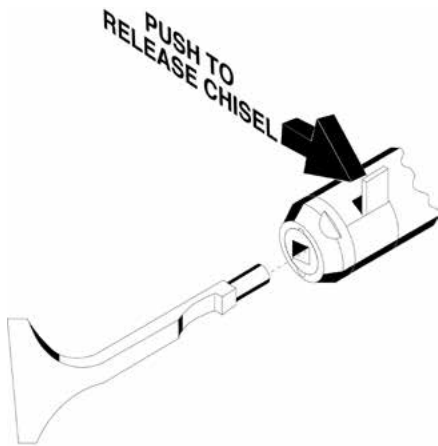


Turn off the air supply and disconnect the air hose from the tool before removing any chisel or implement.

Use only notched B1-C approved safety retainer chisels with B1-C scalers and notched BR-C approved safety retainer chisels with BR-C scalers. Refer to Illustration “F” for a list of approved chisels.

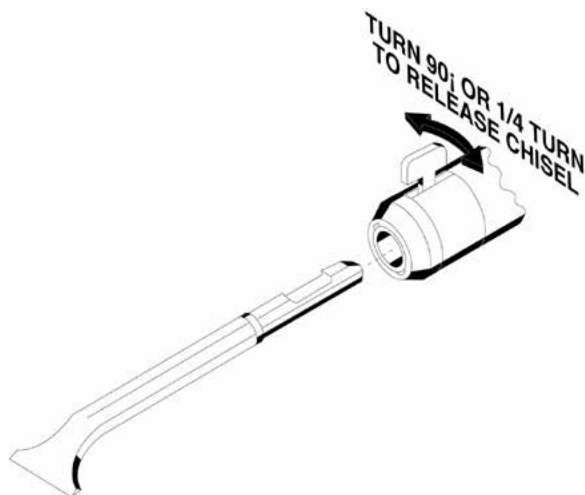
### B1-C Series Models:

Push the tang on the driver retainer (832956), away from the barrel to remove the chisel (see illustration below).



### BR-C Series Models:

Rotate the driver retainer (869314) 90° or 1/4 turn in either direction to remove the chisel (see illustration below). Rotate the driver retainer back to its in-line position with the barrel after chisel replacement.



### Disassembly and Assembly:

Use Apex Tool Group, LLC or Apex Tool Group GmbH & Co. OHG's lightweight air tool oil 500021 (available in quantities shown in the following chart) or an SAE-5 lightweight spindle oil.

### B1-C-BV Pistol Grip Models:

Should if be necessary to replace the throttle valve casing (832054), thread a 7/16-20 bolt into the casing and using a suitable puller, remove it from the handle. Refer to Illustration “C”.

### Inspect Parts:

Clean and inspect all parts for excessive wear or damage and replace as necessary with genuine Cleco replacement parts. Replace all o-rings and seals whenever the tool is disassembled.

Common issues to look for:

- Worn out retainer buffer (833527), used in the B1 series tools. This can be caused by operating the tool without any resistance against the chisel.
- Excessive wear in the tool nose.
- Worn or scored plunger (832373 or 832944) usually caused by foreign particles entering the tool.
- Worn or scored bore in the barrel sleeve (832700 or 832943) caused by foreign particles entering the tool.

### Handle Assembly:

If the handle does not position as desired in relationship to the chisel position, one or more handle positioning shims (832947) may be placed between the valve assembly and the handle. Refer to Illustrations “A”, “B”, and “C”.

Use one shim for about every 30° desired. Always tighten the handle into the barrel until the valve assembly is tight against the barrel sleeve and then tighten the handle lock ring (832882).

After the tool is assembled, pour a few drops of 10W machine oil into the inlet bushing to ensure immediate lubrication of the tool components.

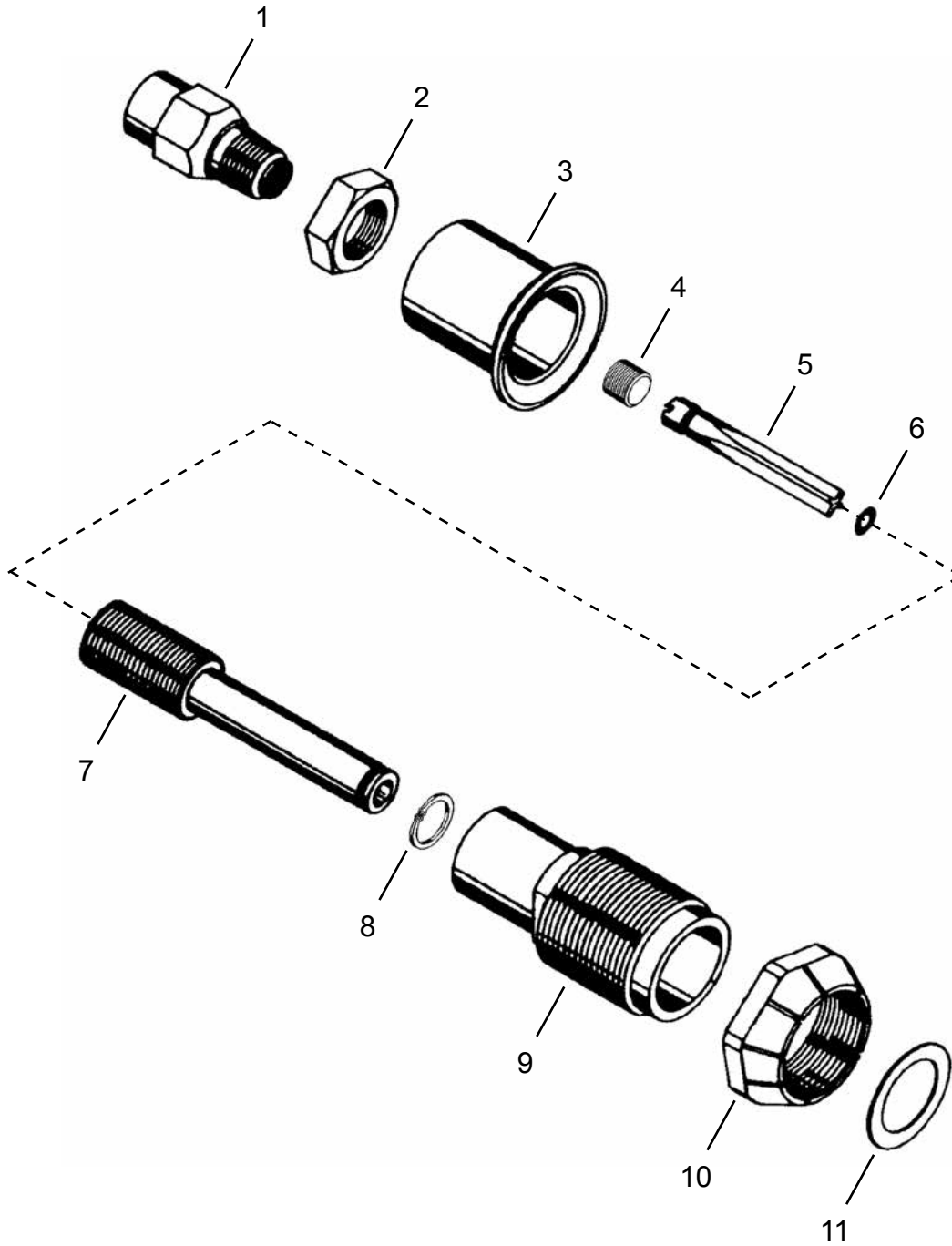
### B1-C-PT Series Throttle Valve Adjustment:

To adjust the throttle valve for the desired power, loosen the throttle valve casing lock nut (843645) and screw the controlling valve handle (832610) to a position so that the desired blow is delivered when the handle is fully compressed. Tighten the throttle valve casing lock nut to secure the controlling valve handle in position. Refer to Illustration “A”.

**Cleco®**  
Inline Handle - Push-Pull Start

**Throttle Type:**  
PT Series

**“A”**



**Inline Handle - Push-Pull Start**

**Illustration "A": Inline Handle, Push-Pull Start**

Ref	Number	#	X	EN
				Description
--	831219	1		Handle Assembly (includes Ref. 1-10)
1	841554	1	1	Air Inlet Bushing
2	843645	1		Throttle Valve Casing Lock Nut
3	832610	1		Control Valve Handle
4	834878	1	1	Set Screw
5	832600	1		Throttle Valve (includes Ref. 6)
6	844302	1	3	Throttle Valve O-Ring (5/32" x 9/32")
7	832095	1		Throttle Valve Casing
8	833600	1	2	Throttle Valve Casing Retaining Ring
9	832807	1		Handle
10	832882	1		Handle Lock Ring
11	832947	1	AR	Handle Positioning Shim

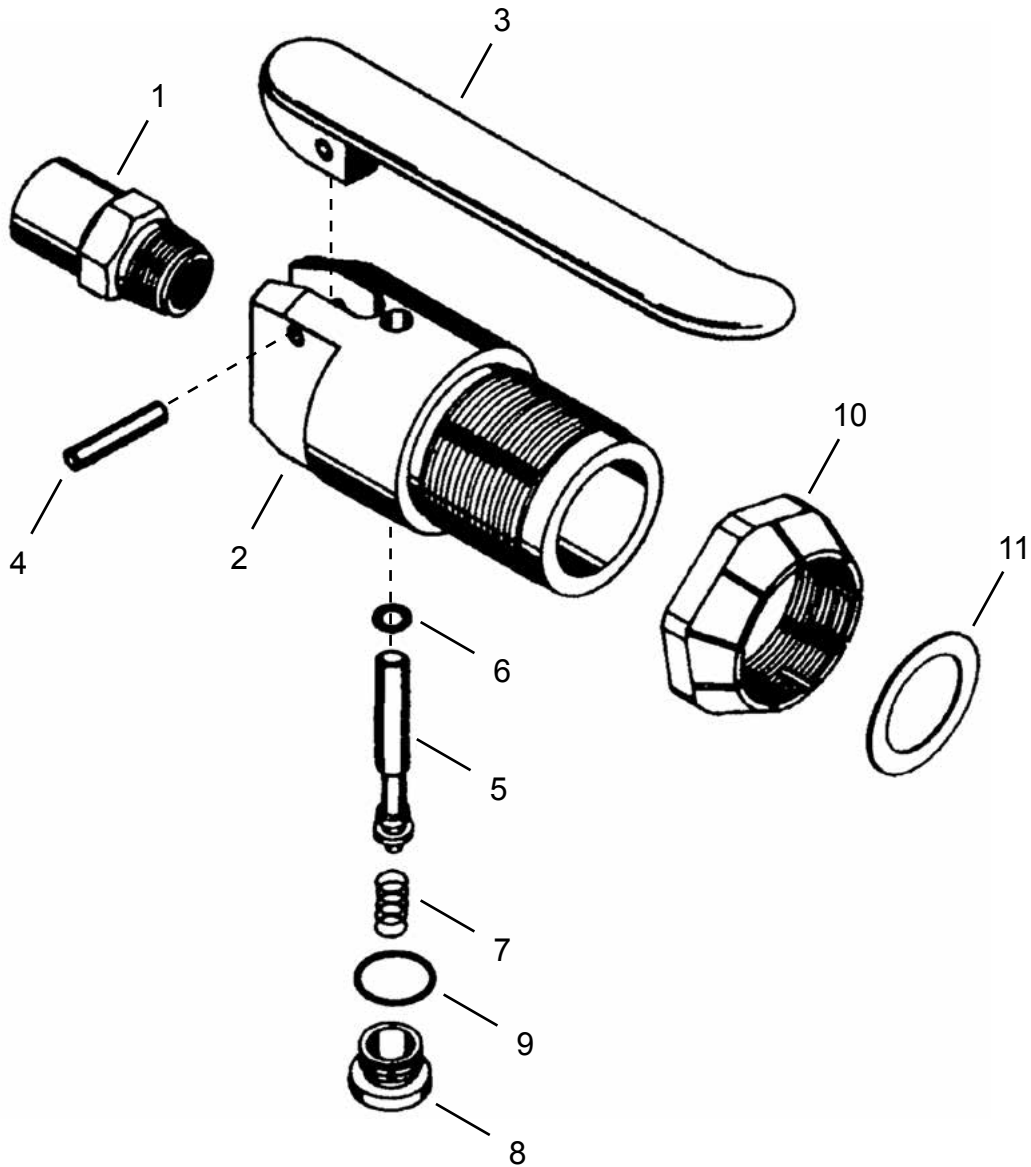
(#) Quantity

(X) Recommended Spare Parts (quantity shown based on 1-5 tools in operation)

**Cleco®**  
Inline Handle - Lever Throttle

**“B”**

**Throttle Type:**  
LT Series





**Inline Handle - Lever Throttle**

**Illustration "B": Inline, Lever Throttle**

Ref	Number	#	X	EN
				Description
--	861731	1		Handle Assembly (includes Ref. 1-14)
1	841553	1	1	Air Inlet Bushing
2	869310	1		Handle
3	834780	1	1	Throttle Lever
4	834848	1	2	Throttle Lever Pin
5	834782	1		Throttle Valve (includes Ref. 6)
6	844302	1	3	Throttle Valve O-Ring (5/32" x 9/32")
7	832078	1	3	Throttle Valve Spring
8	832207	1		Throttle Valve Cap (includes Ref. 9)
9	844307	1	3	O-Ring (.364 I.D.)
10	832882	1		Handle Lock Ring
11	832947	1	AR	Handle Positioning Shim

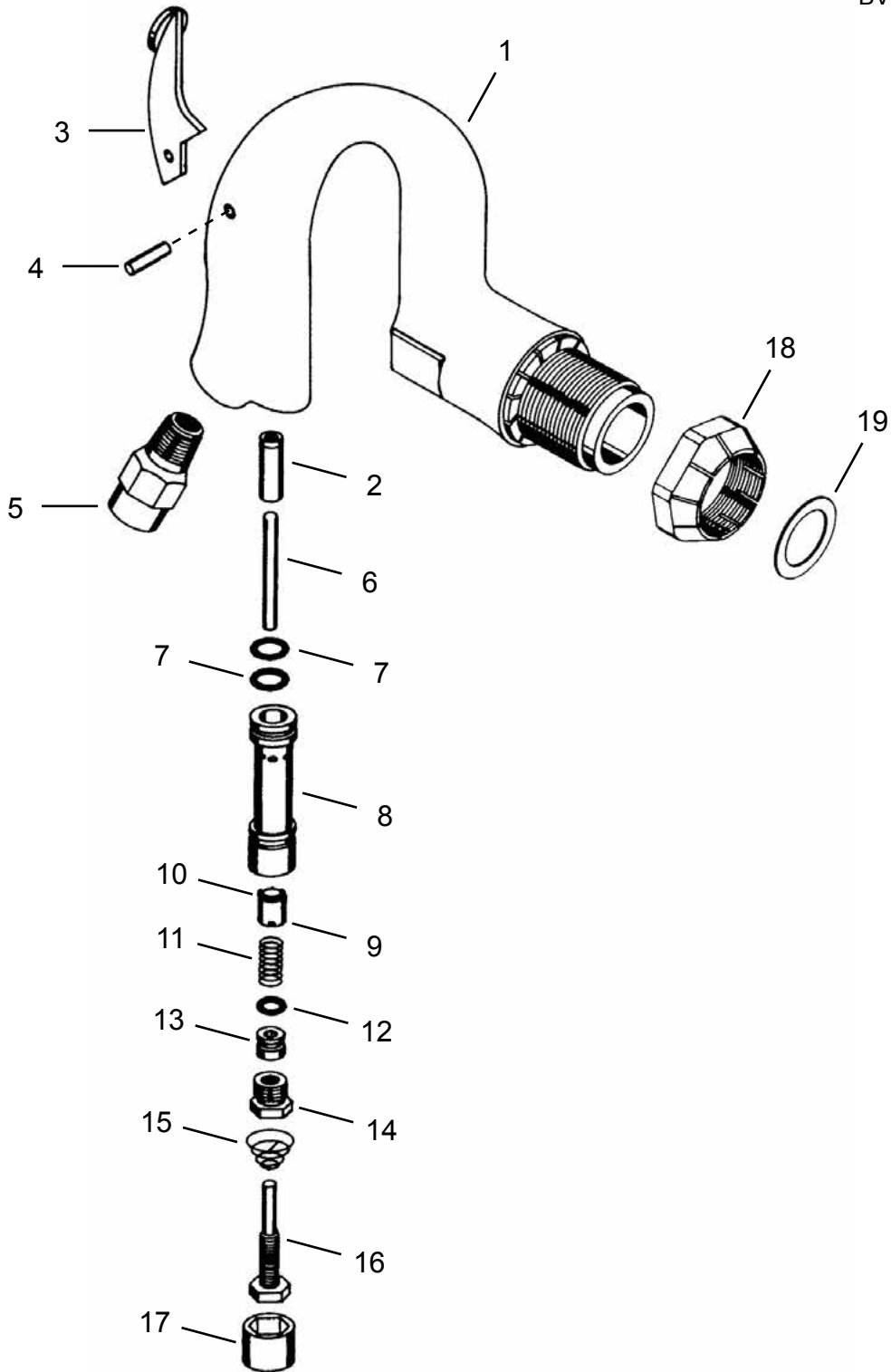
(#) Quantity

(X) Recommended Spare Parts (quantity shown based on 1-5 tools in operation)

**Cleco®**  
Pistol Grip Handle - Lever Throttle

**Throttle Type:**  
BV Series

**“C”**



**Pistol Grip Handle - Lever Throttle**

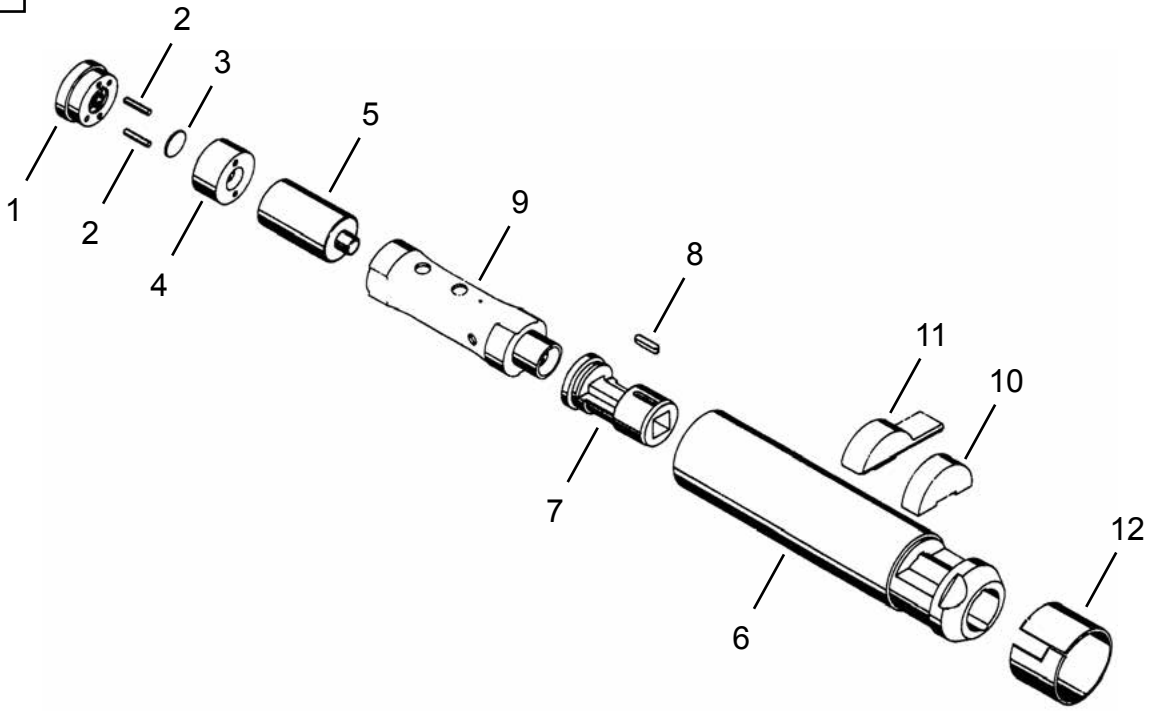
**Illustration "C": Pistol Grip, Lever Throttle**

Ref	Number	#	X	EN
				Description
--	831121	1		Handle Assembly (includes Ref. 1-18)
1	832948	1		Handle (includes Ref. 2)
2	832211	1		Throttle Valve Pin Bushing
3	832148	1	1	Throttle Lever
4	832128	1	1	Throttle Lever Pin
5	841554	1	1	Air Inlet Bushing
6	844767	1		Throttle Valve Pin
7	844307	2	6	Throttle Valve Casing O-Ring (3/8" x 1/2")
8	832054	1		Throttle Valve Casing
9	832091	1		Throttle Valve (includes Ref. 10)
10	844301	1	3	Throttle Valve O-Ring (1/8" x 1/4")
11	843262	1	3	Throttle Valve Spring
--	831411	1		Handle Assembly (includes Ref. 12-17)
12	844305	1	3	Nylon Sleeve O-Ring (1/4" x 3/8")
13	865992	1		Nylon Sleeve
14	833571	1		Regulating Valve Cap
15	833583	1	3	Regulating Valve Spring
16	833616	1		Regulating Valve Adjusting Screw
17	832834	1		Regulating Valve Lock Nut
18	832882	1		Handle Lock Ring
19	832947	1	AR	Handle Positioning Shim

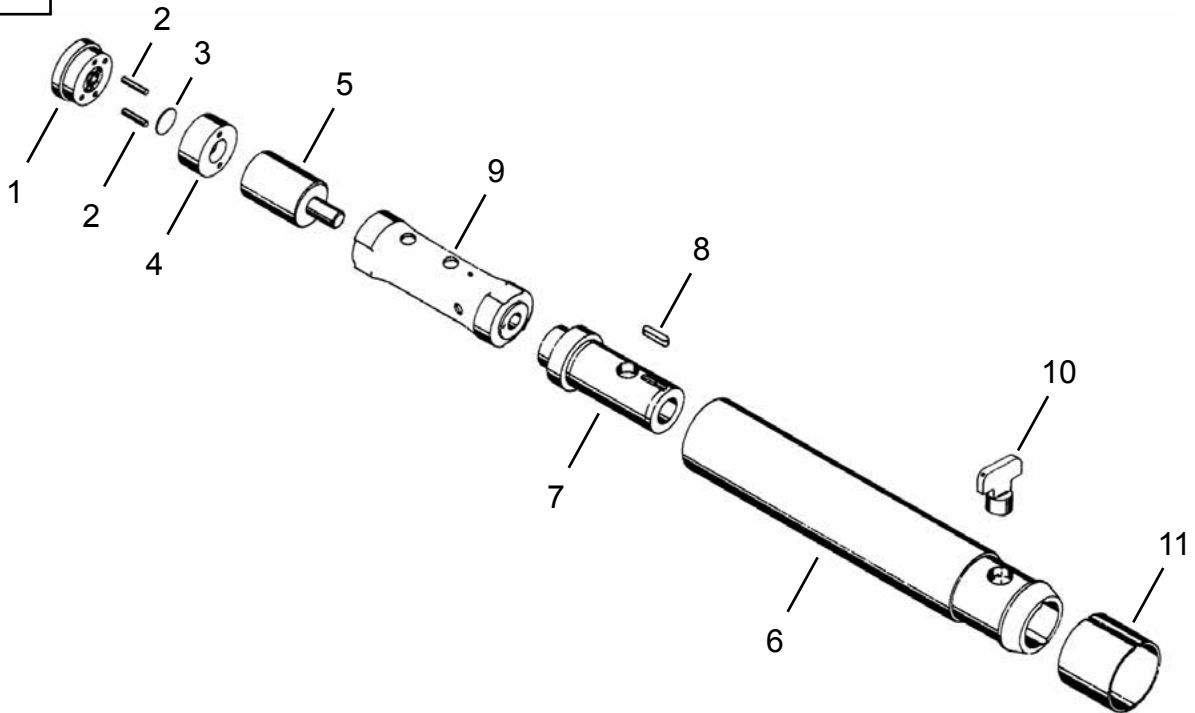
(#) Quantity

(X) Recommended Spare Parts (quantity shown based on 1-5 tools in operation)

**“D”** B1-C Series Scaler



**“E”** BR-C Series Scaler



**Cleco®**  
Scaler Barrel Assemblies

**823108EN**  
12/31/2015

**Illustration "D": B1-C Barrel Assembly**

Ref	Number	#	X	EN
				Description
1	832173	1		Valve Block Button
2	844652	2	4	Valve Block Pin
3	832196	1	1	Valve
4	832508	1		Valve Block
5	832373	1		Plunger
6	861735	1		Barrel Assembly (includes Ref. 7-9)
7	832963	1		Tool Nose
8	842801	1	3	Tool Nose Key
9	832700	1		Barrel Sleeve
10	833527	1		Retainer Buffer
11	832956	1		Driver Retainer
12	832554	1		Retainer Clip

(#) Quantity

(X) Recommended Spare Parts (quantity shown based on 1-5 tools in operation)

**Illustration "E": BR-C Barrel Assembly**

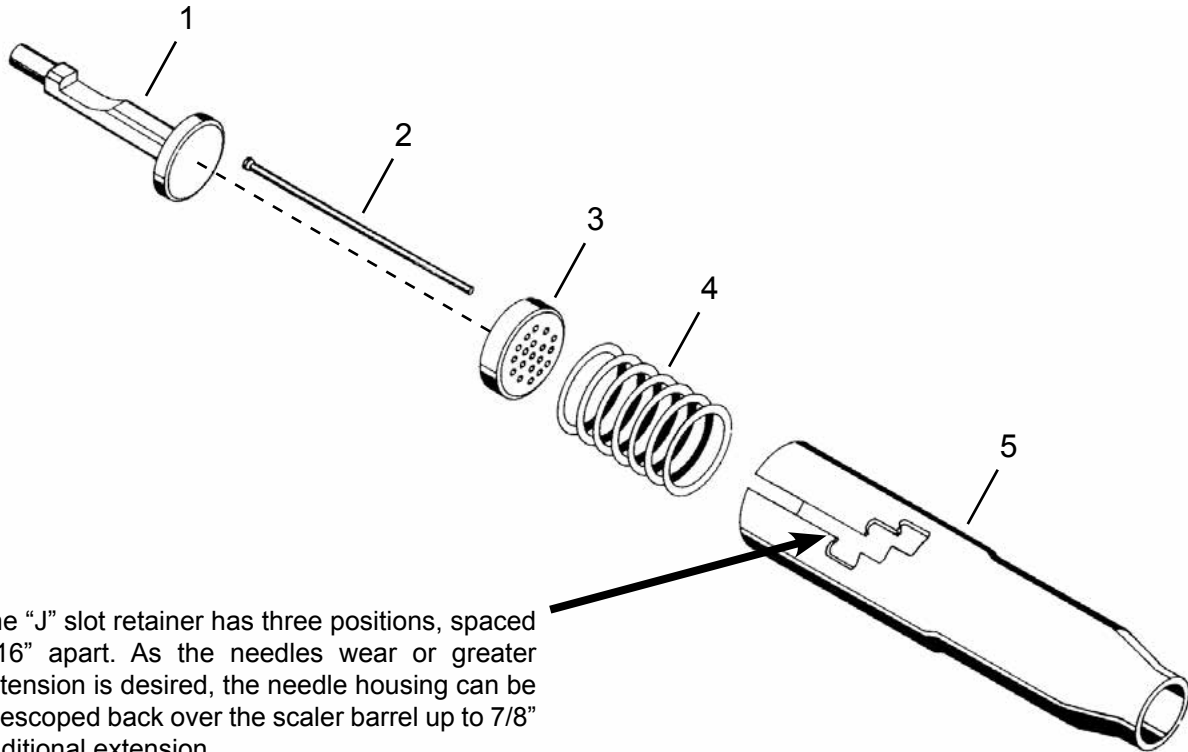
Ref	Number	#	X	EN
				Description
1	832173	1		Valve Block Button
2	844652	2	4	Valve Block Pin
3	832196	1	1	Valve
4	832508	1		Valve Block
5	832944	1		Plunger
6	861732	1		Barrel Assembly (includes Ref. 7-9)
7	832945	1		Tool Nose
8	842801	1	3	Tool Nose Key
9	832943	1		Barrel Sleeve
10	869314	1		Driver Retainer
11	869315	1		Retainer Clip

(#) Quantity

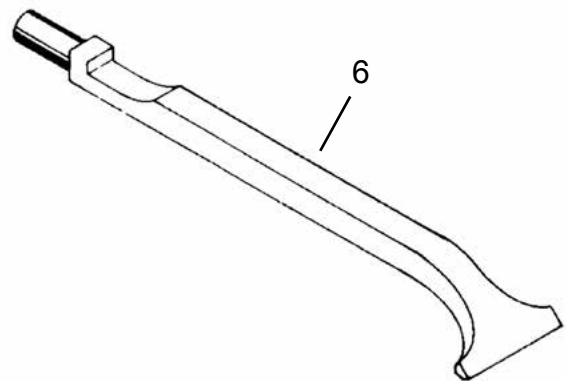
(X) Recommended Spare Parts (quantity shown based on 1-5 tools in operation)

**Cleco®**  
Needle Scaler Assembly

**“F”**



The “J” slot retainer has three positions, spaced  $7/16$ ” apart. As the needles wear or greater extension is desired, the needle housing can be telescoped back over the scaler barrel up to  $7/8$ ” additional extension



# Cleco®

## Needle Scaler Assembly

**823108EN**  
12/31/2015

### Illustration "F": Needle Scaler Attachment

Ref	Number	#	X	EN
				Description
--	Table "F"	1		Needle Scaler Assembly (includes Ref. 1-7)
1	Table "F"	1		Needle Driver
2	834043	19	19	Needle (5") - Standard Equipment
	834024	19	19	Needle (7") - Optional Equipment
3	834046	1		Needle Holder
4	834044	1	3	Needle Holder Spring
5	Table "F"	1		Needle Tube
6	Table "F1"	1		Chisel (B1-C series models)
	Table "F2"	1		Chisel (BR-C series models)

(#) Quantity

(X) Recommended Spare Parts (quantity shown based on 1-5 tools in operation)

### Table "F"

Ref.	Description	#	B1-C Round	#	B1-C Rectangular	#	BR-C Round	#	BR-C Rectangular
--	Needle Scaler Assembly	1	831322	1	831340	1	861734	1	861733
1	Needle Driver	1	834045	1	834045	1	869316	1	869316
5	Needle Tube	1	834779	1	834620	1	834779	1	834620

### Table "F1" : B1-C Optional Scaler Chisels (Safety Retainer Type)

Description	Size	Overall Length	Cutting Edge Dimensions	Part Number
Hardened Blank	1/2" Square	7-1/2"	-----	839052
Hardened Blank	1/2" Square	12"	-----	839053
Hardened Blank	1/2" Square	18"	-----	839054
Flat Chisel	1/2" Square	7-1/2"	3/4"	839061
Flat Chisel	1/2" Square	12"	3/4"	839341
Flat Chisel	1/2" Square	18"	3/4"	839335
Flat Chisel	1/2" Square	8"	1-1/2"	839467
<b>Spoon Chisel</b>	<b>1/2" Square</b>	<b>7-1/4"</b>	<b>1-3/8"</b>	<b>839050 *</b>
Spoon Chisel	1/2" Square	12"	1-3/8"	839299
Spoon Chisel	1/2" Square	18"	1-3/8"	839334
Spoon Chisel	1/2" Square	7-1/4"	1"	839740

\* Note: 839050 is standard equipment

### Table "F2" : BR-C Optional Scaler Chisels (Safety Retainer Type)

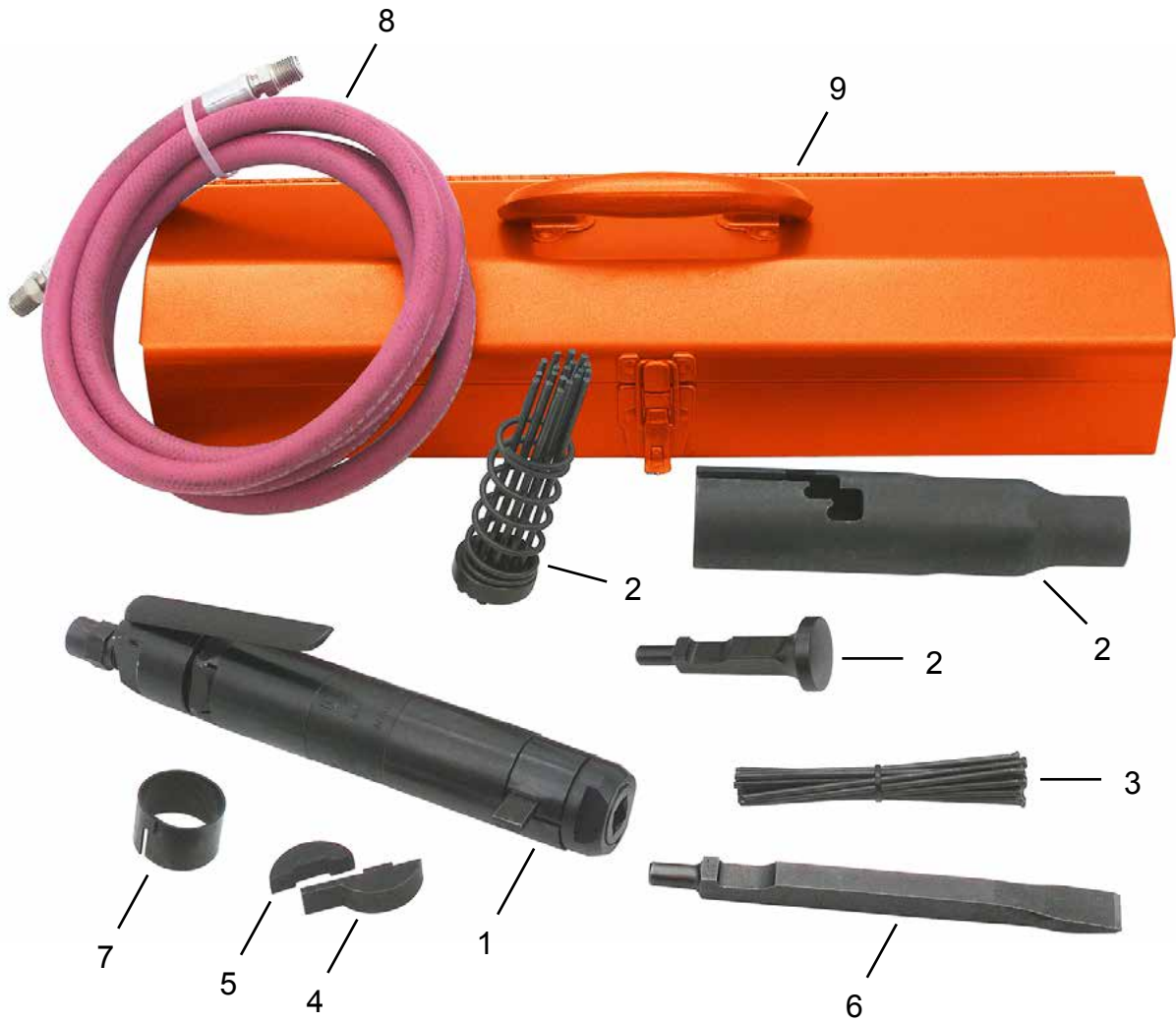
Description	Overall Length	Cutting Edge Dimensions	Part Number
Blank	6-1/2"	-----	829172
Blank	7-1/2"	-----	829173
Short Wide Blade	4-3/8"	1-1/4" x 1/8"	829167
Narrow Blade	3-7/8"	5/8" x 3/32"	829168
Long Wide Blade	8"	1-3/4" x 3/32"	829165
Cold	8-1/2"	3/4" x 3/32"	829150
Scaling	9"	1-1/4" x 3/32"	829301
<b>Spoon</b>	<b>7-1/2"</b>	<b>1-3/8" x 3/32"</b>	<b>829310 *</b>

\* Note: 829310 is standard equipment

**Cleco®**  
Needle Scaler Kit

“G”

Model: B1-CNB-LT-RD-K





**Cleco®**  
Needle Scaler Kit

**823108EN**  
12/31/2015

**Illustration "G": Needle Scaler Kit**

Ref	Number	#	X	EN
				Description
1	B1-C-LT	1		Needle Scaler (Inline, Lever Throttle)
2	831322	1		Needle Tube Assembly
3	834043	19	19	Needle (5") - Standard Equipment
	834024	19	19	Needle (7") - Optional Equipment
4	832956	1		Chisel Retainer
5	833527	1		Retainer Buffer
6	839051	1		Flat Chisel (7")
7	832554	1		Retainer Clip
8	869723	1		Air Supply Hose (1/4" NPT Fittings, 5/16" I.D., 8' Long)
9	834047	1		Steel Storage Box

(#) Quantity

(X) Recommended Spare Parts (quantity shown based on 1-5 tools in operation)





# POWER TOOLS SALES & SERVICE CENTERS

Please note that all locations may not service all products.

Contact the nearest Apex Tool Group Sales & Service Center for the appropriate facility to handle your service requirements.

## NORTH AMERICA | SOUTH AMERICA

### Detroit, Michigan

Apex Tool Group  
2630 Superior Court  
Auburn Hills, MI 48236  
Phone: +1 (248) 393-5640  
Fax: +1 (248) 391-6295

### Lexington, South Carolina

Apex Tool Group  
670 Industrial Drive  
Lexington, SC 29072  
Phone: +1 (800) 845-5629  
Phone: +1 (919) 387-0099  
Fax: +1 (803) 358-7681

### Louisville, Kentucky

Apex Tool Group  
1000 Glengarry Drive  
Suite 150  
Fairdale, KY 40118  
Phone: +1 (502) 708-3400  
[apexpowertools.com/service](http://apexpowertools.com/service)

### Canada

Apex Tool Canada, Ltd.  
7631 Bath Road  
Mississauga, Ontario L4T 3T1  
Canada  
Phone: (866) 691-6212  
Fax: (905) 673-4400

### Mexico

Apex Tool Group  
Manufacturing México  
S. de R.L. de C.V.  
Vialidad El Pueblito #103  
Parque Industrial Querétaro  
Querétaro, QRO 76220  
Mexico  
Phone: +52 (442) 211 3800  
Fax: +52 (800) 685 5560

### Brazil

Apex Tool Group  
Ind. Com. Ferram, Ltda.  
Av. Liberdade, 4055  
Zona Industrial Iporanga  
Sorocaba, São Paulo  
CEP# 18087-170  
Brazil  
Phone: +55 15 3238 3820  
Fax: +55 15 3238 3938

## EUROPE | MIDDLE EAST | AFRICA

### England

Apex Tool Group  
GmbH & Co. OHG  
C/O Spline Gauges  
Piccadilly, Tamworth  
Staffordshire B78 2ER  
United Kingdom  
Phone: +44 1827 8727 71  
Fax: +44 1827 8741 28

### France

Apex Tool Group S.A.S.  
25 rue Maurice Chevalier  
B.P. 28  
77831 Ozoir-La-Ferrière  
Cedex, France  
Phone: +33 1 64 43 22 00  
Fax: +33 1 64 43 17 17

### Germany

Apex Tool Group  
GmbH & Co. OHG  
Industriestraße 1  
73463 Westhausen  
Germany  
Phone: +49 (0) 73 63 81 0  
Fax: +49 (0) 73 63 81 222

### Hungary

Apex Tool Group  
Hungária Kft.  
Platánfa u. 2  
9027 Győr  
Hungary  
Phone: +36 96 66 1383  
Fax: +36 96 66 1135

## ASIA PACIFIC

### Australia

Apex Tool Group  
519 Nurigong Street, Albury  
NSW 2640  
Australia  
Phone: +61 2 6058 0300

### China

Apex Power Tool Trading  
(Shanghai) Co., Ltd  
Building A8, No. 38  
Dongsheng Road  
Pudong, Shanghai  
China 201201  
Phone: +86 21 60880320  
Fax: +86 21 60880298

### India

Apex Power Tools India  
Private Limited  
Gala No. 1, Plot No. 5  
S. No. 234, 235 & 245  
Indialand Global  
Industrial Park  
Taluka-Mulsi, Phase I  
Hinjawadi, Pune 411057  
Maharashtra, India  
Phone: +91 020 66761111

### Japan

Apex Tool Group Japan  
Korin-Kaikan 5F,  
3-6-23 Shibakoen, Minato-Ku,  
Tokyo 105-0011, JAPAN  
Phone: +81-3-6450-1840  
Fax: +81-3-6450-1841

### Korea

Apex Tool Group Korea  
#1503, Hibrand Living Bldg.,  
215 Yangjae-dong,  
Seocho-gu, Seoul 137-924,  
Korea  
Phone: +82-2-2155-0250  
Fax: +82-2-2155-0252

# Cleco®

### Apex Tool Group, LLC

1000 Lufkin Road  
Apex, NC 27539  
Phone: +1 (919) 387-0099  
Fax: +1 (919) 387-2614  
[www.apexpowertools.com](http://www.apexpowertools.com)